



BMP 300

Paper Cup Forming



HORAUF

the art of engineering



BMP 300 BMP 300 SUPER

A whole new concept

We are proud to present a whole new concept in paper cup machinery. We combined all our benefits and expertise... and we were successful!

This generation of machinery is in a class of its own. All the main processing stations are vertically arranged, providing easy access and a very effective use of space.

The new, vertical concept offers numerous advantages:

More flexibility

The BMP 300 is able to produce nearly all kinds of paper cups. Cups for hot and cold drinks, packaging cups for snacks and dry food, dairy cups, large cups for ice cream and when combined with a BMI 300 also air insulated cups for coffee or soups.

More opportunities

The BMP 300 is able to produce round and non-round conical paper cups. Moreover, the BMP 300 provides numerous possibilities to integrate additional stations, e.g. a station for a flattened top-curl or a grooving station.

More Markets

The advantages of the BMP 300 enable the user to serve more markets and allow flexible reaction on trends and demands. An important advantage these days where trends can appear and disappear quickly.

Technology

Not only the great variety of options create additional benefits for the user. The BMP 300 is optimized for fast tool changes. Most changes can be done within a single shift! The system is simple yet effective. Tools are preadjusted, and due to the perfect accessibility, tool changes as well as maintenance is very easy to perform.

Of course the BMP 300 incorporates the proven HÖRAUF technology like:

- Expanding sealing stations
- Multiple heaters
- Top-curl stations, suitable for various top-curl types (round or flattened)
- IPC control and IPC heater control

Last but not least, the BMP 300 was designed to be sustainable and energy efficient. All features that save your money and help the environment.

Round and non-round cups are possible



Your advantages

- > Increase your ability to compete – You are more flexible than ever.
- > Expand your product range – You have a great choice of options.
- > Create more return on your investment - The BMP 300 is optimized in saving energy.
- > Be secure - Profit from a highly efficient machine, a well-proven system, and a high level of production reliability.
- > Profit from our online support and from our experienced technicians.
- > Innovate with us - HÖRAUF is the ideal partner for new developments, benefit from over 40 years of experience.

Standard Equipment

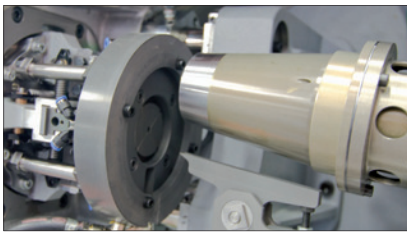
- > Central electrical control cabinet
- > IPC control
- > Variable speed of main drive
- > Oil mist lubrication for drive parts
- > Three hot air heaters for the side seam
- > Expanding bottom sealing stations
- > Multiple top curl stations including moistening

Optional Equipment

- > Blanker unit (roll-fed-system)
- > Blank infeed conveyor
- > Other options possible on request:
 - grooving station
 - station for a flattened top-curl

Accessories

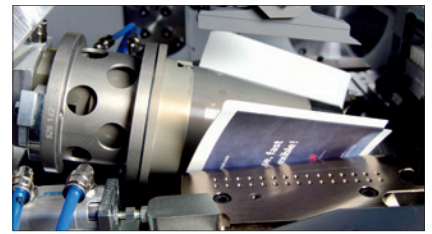
- > Vacuum pump
- > Water cooling unit (chiller)
- > Cup counting and collecting device
- > Film sleeve packing machine
- > Waste suction unit



Expanding sealing station



High precision blank infeed



Perfect folding accuracy

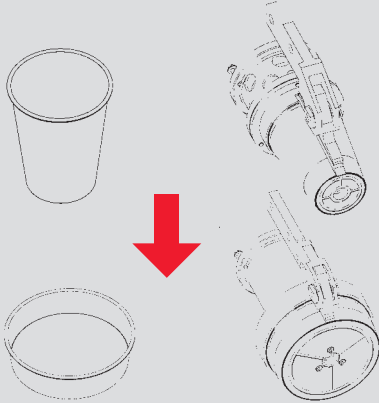
BMP

BMP 300

The new generation

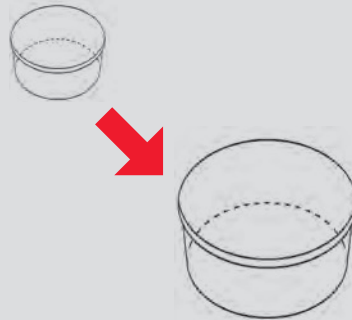
BMP Fast change over

Change tools within a single shift.



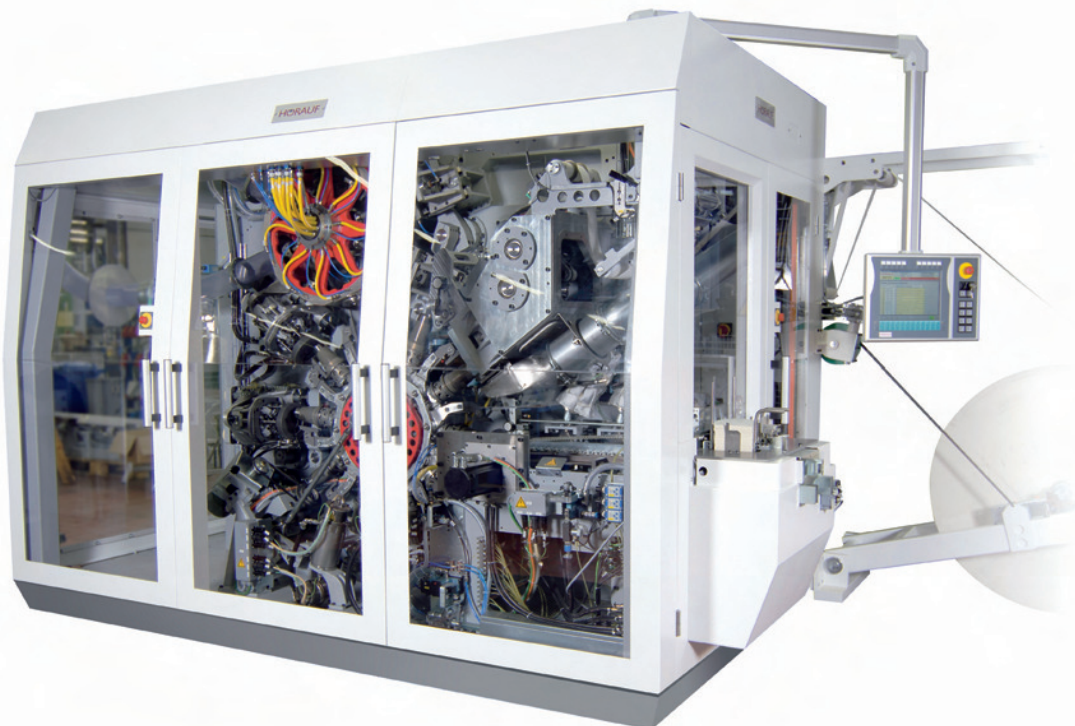
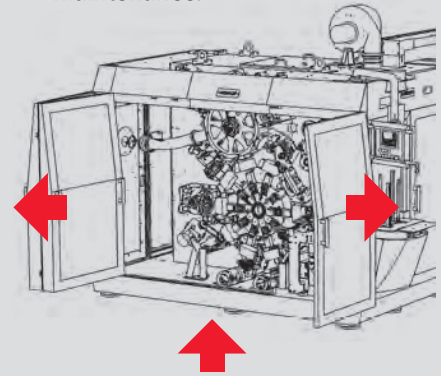
BMP Wide size range

The BMP 300 offers an extreme wide size range.



BMP Full access

Easy access for operation and maintenance.



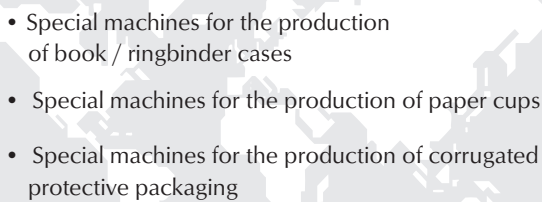
HORAUF

the art of engineering

BMP 300

Paper Cup Forming

Hörauf is a renowned manufacturer of special machines for the paper processing industry.

- 
- Special machines for the production of book / ringbinder cases
 - Special machines for the production of paper cups
 - Special machines for the production of corrugated protective packaging

Michael Hörauf Maschinenfabrik GmbH & Co. KG
Mozartstraße 39 - 41 · D - 73072 Donzdorf - Germany
Phone: +49(0) 7162 / 942-0 e-mail: sales@hoerauf.com
Fax: +49(0) 7162 / 942-510 www.hoerauf.com

HÖRAUF

the art of engineering