



BMP 100D

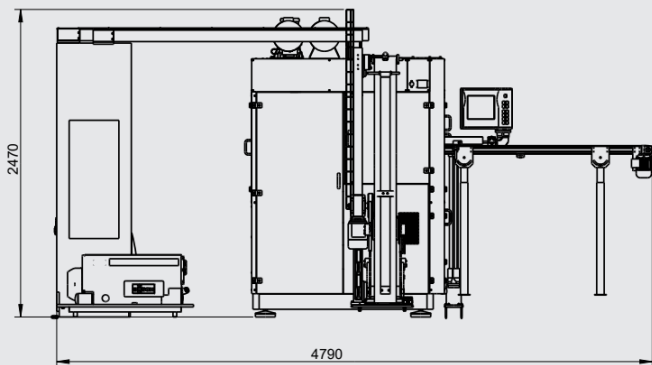
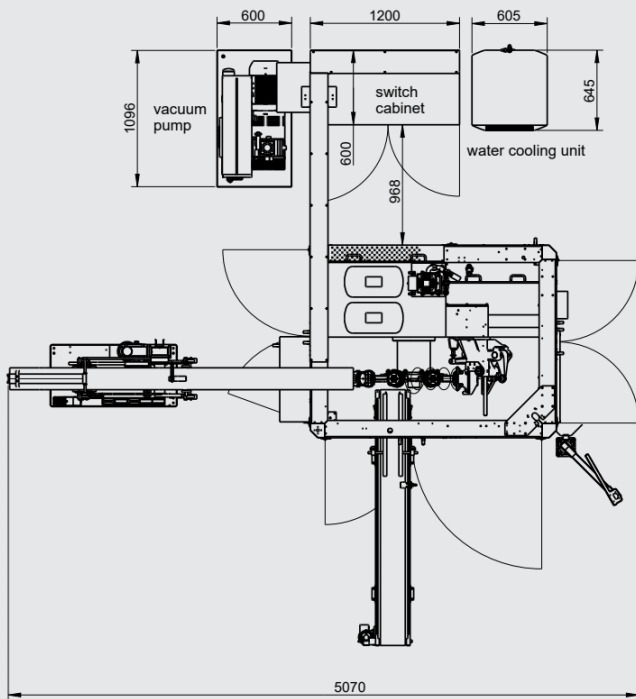
lid machine





BMP 100D

lid machine



Technical specification:

Possible shapes: Round
(Non-round on request)
stackable and non-stackable

Capacity:
Production speed up to 180 lids / min.
depending on lid size and shape

Size range:
Lid diameter Ø 65 - 130 mm
Lid height 9 - 13 mm
Non-round Lid on request

Weight of machine:
Total weight: approx. 6900 kg

Average power consumption:
Average power: 22.3 kW

Compressed air requirements:
Consumption: 3000 l/min at 6 bar

Vacuum:
Consumption: 180 m³/h
Pressure: 200 m bar (abs)

Cooling water:
Consumption: 8 l/min. (closed circle)
Pressure: 1.5 bar min. - 5 bar max.

Michael Hörauf Maschinenfabrik GmbH & Co. KG
Mozartstraße 39 - 41 · D - 73072 Donzdorf - Germany
Phone: +49(0) 7162 / 942-0 e-mail: sales@hoerauf.com
Fax: +49(0) 7162 / 942-510 www.hoerauf.com

HÖRAUF

the art of engineering