

Countmaster CS 102



Double head counting machine
for corner counting

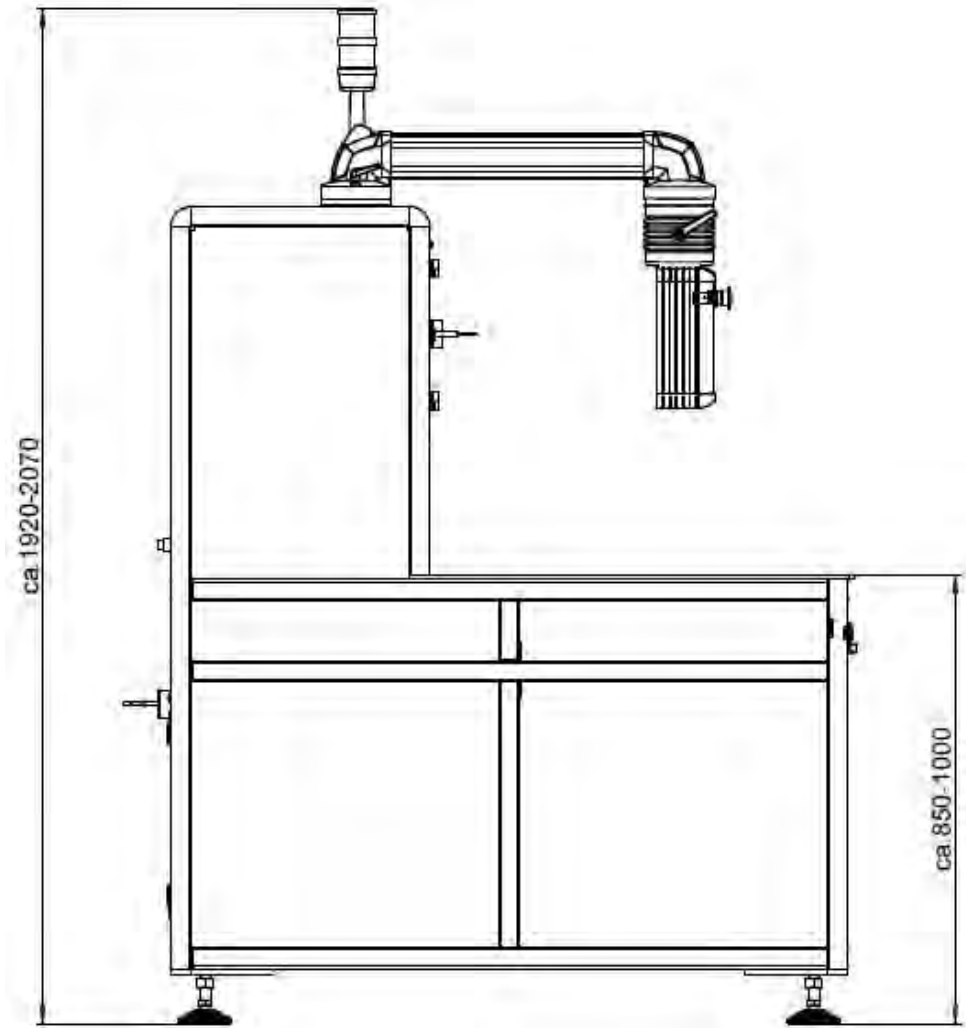
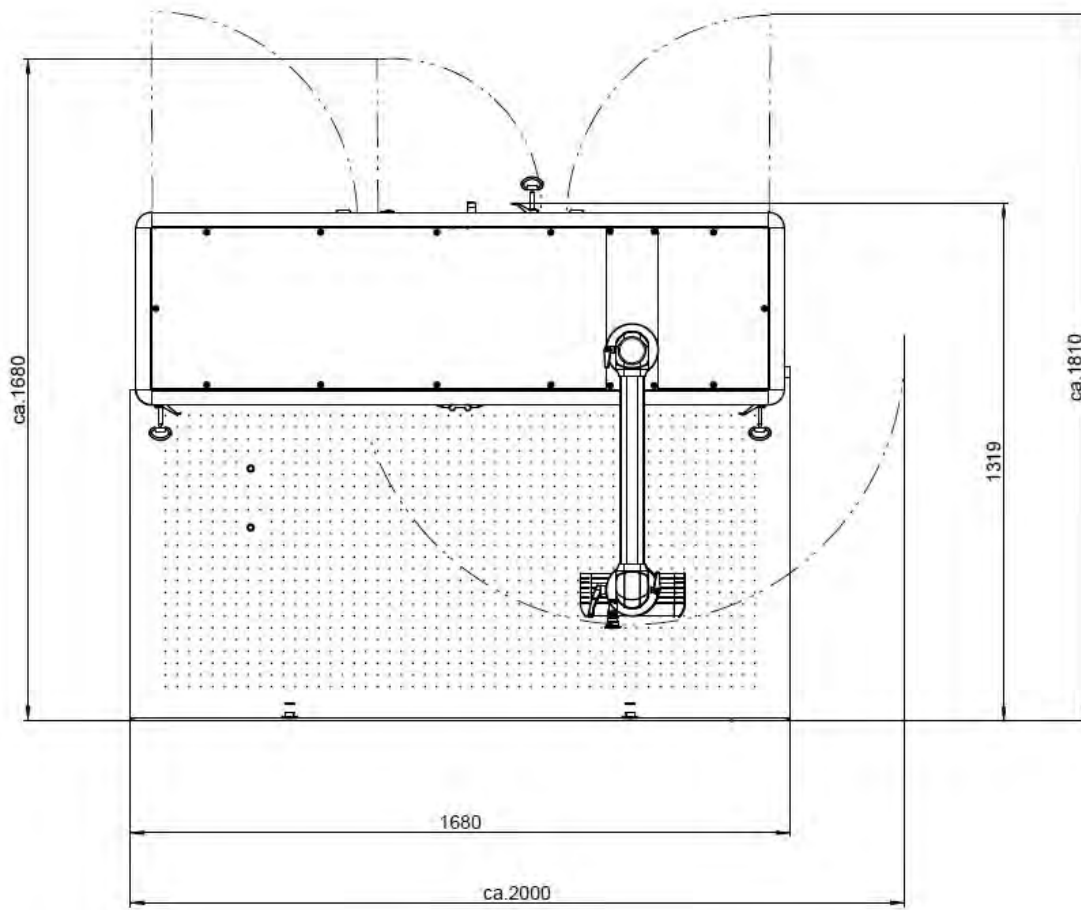


Technical specifications:

Max. counting speed:	depends to disk (page 5)
Countable material:	paper
Weight of the material:	depends to disk (page 5)
Max. paper cut size:	900 x 1000 mm
Min. paper cut size:	80 x 420 mm
Max. packet size:	up to 200 mm
Electrical connection:	Single phase / N 230 V AC / 50-60 Hz.
Power:	3,5 kW
Dimensions:	1680 x 1330 x 2070 mm (L x W x H)
Weight:	approx. 550 kg

Countmaster CS 102

Layout:



Basic configuration:

- Air float table / aluminium table hard coated
- Programmable Logic Controller available
- Operation and setup of the machine by multi-lingual full colour touch screen
- Easy and fast to operate
- Internal memory to store counting results
- Integrated vacuum pump
- Machine designed for multi-shift operation
- Maintenance friendly
- Retractable paper stops
- Double and single headed operation
- Safe your counting results on an USB
- Counting results only deletable by authorized operators (password protection)
- “Difference counting” remains on top of the pile
- Counting results (good/bad) can be symbolized by colours (green/red) in the full screen of the operating display
- Limit switch for security doors
- Maintenance unit for compressed air

Countmaster CS 102

Counting disk information:

Features:	Counting disk V9	Counting disk V12	Counting disk H9
Number of segments	3	3	4
Diameter	129,6 mm	129,6 mm	154 mm
Grammage	50 - 160 gramm	90 - 250 gramm	50 - 160 gramm
Paper offset	- 2,5 mm	- 2,5 mm	- 2,5 mm
Max. counting speed without tab inserter	5000 notes / min.	5000 notes / min.	6600 notes / min.
Max. counting speed with tab inserter	2500 notes / min.	2500 notes / min.	2500 notes / min.
Range of application	corner counting	corner counting	corner counting

Countmaster CS 102

Options:

- | | |
|--|------------------------------------|
| <input type="checkbox"/> integrated compressor | (OP0004_10102_0) |
| <input type="checkbox"/> tab inserter (min. 25 sheets) for two or one counting head | (OP0002_10102_0 / (OP0003_10102_0) |
| <input type="checkbox"/> external stamp unit to stamp from side or top | (OP0021_10102_0 / (OP0006_10102_0) |
| <input type="checkbox"/> USB, Ethernet, RS232 interface | (OP0007_10102_0) |
| <input type="checkbox"/> label printer kit | (OP0101_10102_0) |
| <input type="checkbox"/> table extension left and right side | (OP0035_10102_0) |
| <input type="checkbox"/> audible warning unit | (OP0085_10102_0) |
| <input type="checkbox"/> noise protection unit | (OP0072_10102_0) |
| <input type="checkbox"/> transport rolls | (OP0047_10102_0) |
| <input type="checkbox"/> digital big screen for showing counting results | (OP0064_10102_0) |
| <input type="checkbox"/> pile ventilation | (OP0102_10102_0) |
| <input type="checkbox"/> special voltages | (OP0036_10102_0) |