



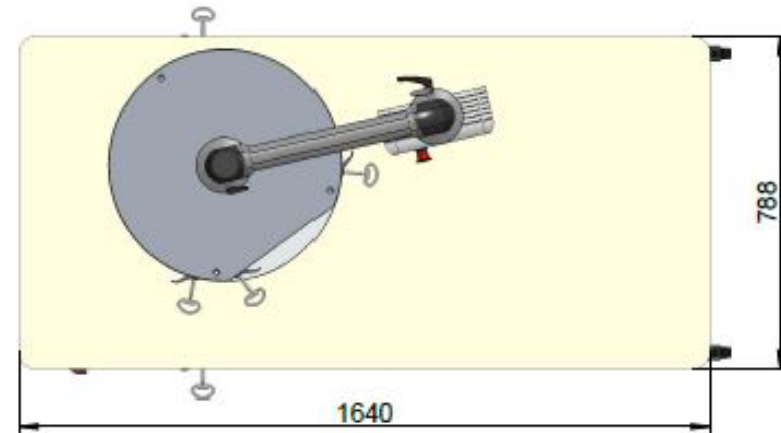
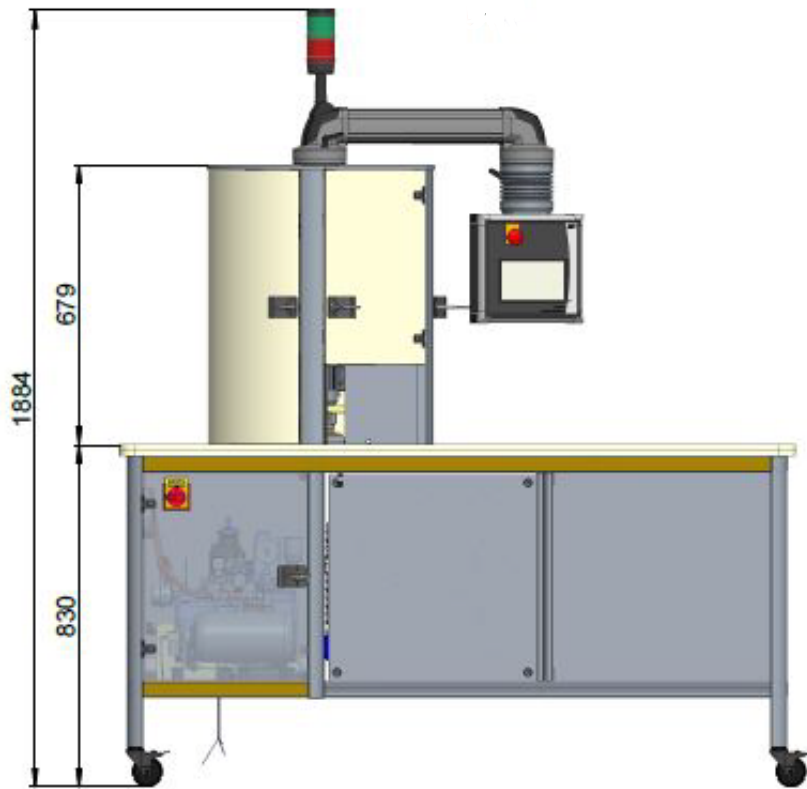
Counting machine  
Standalone



### Technical specification:

Max. counting speed:	depends to disk (page 5)
Countable material:	paper, polymer, substrates
Weight of the material:	depends to disk (page 5)
Max. paper cutsize:	350 - 600 mm
Min. paper cutsize:	55 x 100 mm
Max. packet height:	up to 200 mm
Min. packet height:	10 mm
Electrical connection:	Single phase / 230 V N/PE AC / 50-60 Hz. (+/- 10%)
Power total:	2.1 kW
Dimensions:	1640 x 788 x 1885 mm (L x B x H)
Weight:	approx. 195 kg

Layout:



### Basic configuration:

- Programmable Logic Controller available
- Operation and setup of the machine by multi-lingual full colour touch screen
- Easy and fast to operate
- Internal memory to store counting results
- Integrated vacuum pump
- Machine designed for multi-shift operation
- Maintenance unit for compressed air
- Save your counting results on an USB
- GTS Industry 4.0 - control, analyze and optimize
  - Operating hours and switching cycles are evaluated
  - Order spare parts specifically via maintenance list
  - Reduce maintenance costs and increased reliability
  - Extend service life of whole system
- Counting results only deletable by authorized operators (password protection)
- Counting results (good/bad) can be symbolized by colours (green/red) in the full screen of the operating display
- Maintenance friendly
- Transport rolls

## Countmaster CS 446

Counting disk information:

Features:	Counting disk G004	Counting disk G005	Counting disk G006
Number of segments	6	3	3
Diameter	119,6 mm	129,6 mm	129,6 mm
Grammage	50 - 120 gramm/sqm	50 - 160 gramm/sqm	90 - 250 gramm/sqm
Paper offset	- 1 mm	- 3 mm	- 2,5 mm
Max. counting speed	8600 notes / min.	7500 notes / min.	4300 notes / min.
Max. counting speed with option tab inserter	-	2500 notes / min.	2500 notes / min.
Range of application	corner counting	corner counting	corner counting

Options:

- |   |                  |
|---|------------------|
| <input type="checkbox"/> Special voltages               | (OP0036_10146_0) |
| <input type="checkbox"/> Integrated compressor          | (OP0004_10146_0) |
| <input type="checkbox"/> Table -prolongoation           | (OP0035_10146_0) |
| <input type="checkbox"/> Tab -insertion                 | (OP0002_10147_0) |
| <input type="checkbox"/> USB, Ethernet, RS232 interface | (OP0007_10146_0) |
| <input type="checkbox"/> Noise protection               | (OP0072_10146_0) |