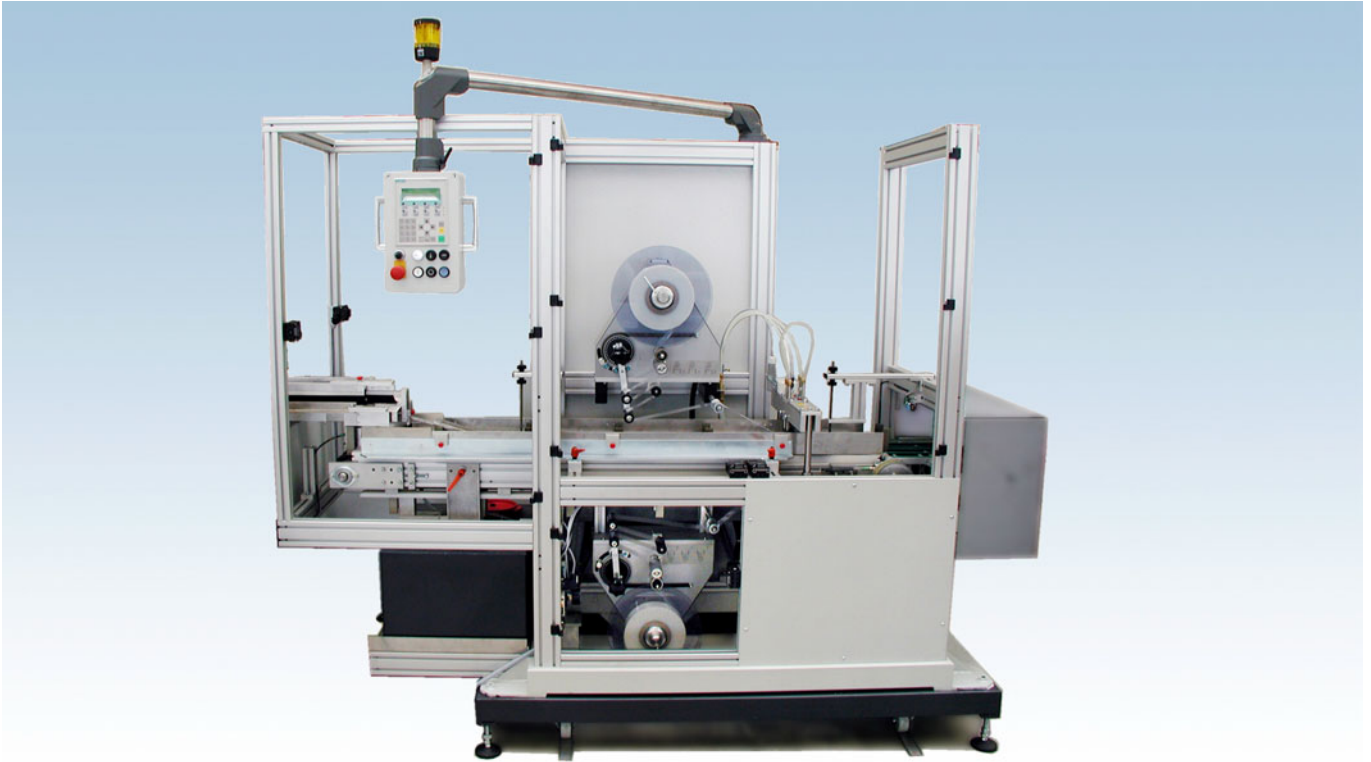


Banding machine VBM 50 / BM 25

Banding machine for flat products up to format width 300 x 210 and 45 mm package height



Applications:

- Paper products like envelopes, letters (filled), post cards, greeting cards, folding boxes, and the like
- Flat products, like blister packs, compresses, sachets, chip cards, Booklet strip, pencils, measuring sticks, and the like
- Format width up to a maximum of 300 x 210 mm and a package height of up to 45 mm.

Types of wrapping:

- Sealed film sleeve with 30 and 50 mm film width (Option)

Function:

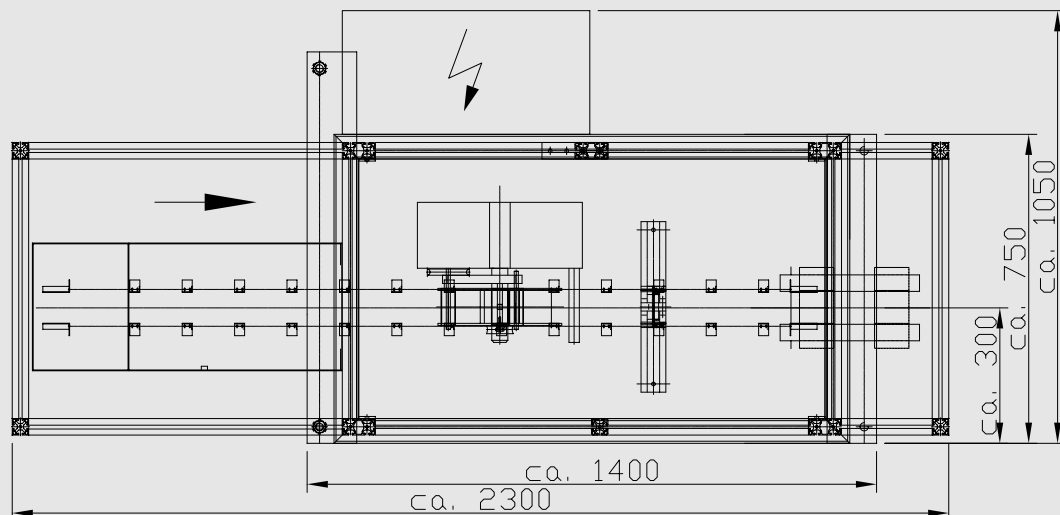
- Counting and infeed in the stacking magazine of the flighted belt conveyor by means of an infeed unit.
- Cycled feed of the counted product stack to the sealing knife.
- Sealing of the upper and lower film by means of the sealing unit.
- Transfer to the follow-up machine with integrated outfeed conveyor.
- Water-cooled holding-down devices for permanently good sealing quality.
- Powered sealing unit at VBM 50 machine type.
Pneumatically sealing unit at BM 25 machine type.
- Economical use of the banding film caused by thin PE film with 30 µm.
- Powered film rewinding with spring tension.

Programmable Logic Control:

- Operator guidance and status display by 4-line LC display
- Editing and input keys for entering values into operator menus or for acknowledging messages
- Operating keys for START, STOP, RESET and EMERGENCY STOP
- Operating mode CYCLE and AUTO
- Display or modification of operating parameters
- Choice of 2 operator languages
- Status diagnosis and fault messages
- Fault message indication by way of signal lamp and plain text message
- Electric and electronic plug-type connections.

Technical data:	
	VBM 50 / BM 25
Format range: Product height:	Min. 100 x 50 mm, Max. 300 x 210 mm Min. 2 mm, Max. 45 mm
Cycle speed (depending on the product)	Max. 50 packages/min. (VBM 50) Max. 25 packages/min. (BM 25)
Wrapping film:	Polypropylene (BOPP/PP), film thickness 15 up to 30 µm, Polyethylen (PE), film thickness 30 µm - 60 µm, film thickness 30 and 50 mm (Option)
Drive:	Servo geared motor, infinitely variable
Control:	PLC control SIEMENS S7 with control panel OP 7
Supply voltage: Power input:	3 x 400 V / 50 Hz, approx. 3 kVA, (10 nominal current)
Compressed-air connection	6 bar dry, oil-free air, connection ¼", air consumption max. 50 l/min.
Dimensions (W x D x H) / Weight:	2.300 x 1.050 x 1.850 mm (standard configuration)/ approx. 600 kg, according to machine equipment

Layout Standard configuration:



Options:

Film width 50 mm	<ul style="list-style-type: none"> • On request 	Lifting / turning station at transport conveyor	<ul style="list-style-type: none"> • For turning over the packages after sealing
Infeed unit:	<ul style="list-style-type: none"> • For link to packaging machines to count and stack into the infeed of the VBM 50 / BM 25 	Shingling outfeed conveyor	<ul style="list-style-type: none"> • With attachment in longitudinal or transversal direction to the VBM 50 / BM 25
Adjustable infeed stopper:	<ul style="list-style-type: none"> • For individual adaption to preceding machine / infeed length 	Special accessories:	
Outfeed conveyor:	<ul style="list-style-type: none"> • Special length on request 	Scanner / Camera:	<ul style="list-style-type: none"> • For registration of barcodes and consecutively numbered products (e.g. banknotes)
Feeder on transport conveyor, incl. Prolonged transport conveyor:	<ul style="list-style-type: none"> • Inline, with direct feed into the flighted belt conveyor • Mounted in transversal position to the conveyor, with direct feed into the conveyor 	Labelling device:	<ul style="list-style-type: none"> • For labelling of the sealed packages in the outfeed • Different solutions on request
Frame with prolonged transport conveyor:	<ul style="list-style-type: none"> • With equipment of feeders, labellers, scanners and other accessories on the transport conveyor 	Special solutions:	<ul style="list-style-type: none"> • On request
Transport belt with customized separation:	<ul style="list-style-type: none"> • Adaption of the transport belt to product width 		
Transport belt with central adjustment	<ul style="list-style-type: none"> • For fast adjustment of the guide bars to new product formats 		
Package height up to 60 mm:	<ul style="list-style-type: none"> • For packages higher than 20 mm 		
Outfeed conveyor:	<ul style="list-style-type: none"> • With round belts 		

Subject to technical modifications