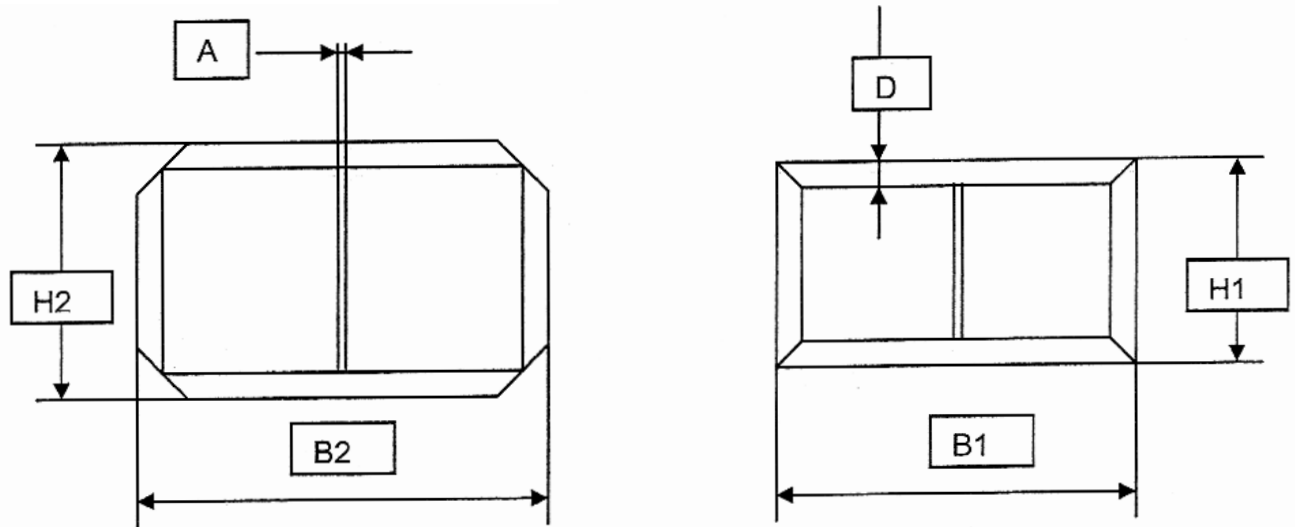


Universal XXL



Specifications



Format:		minimum	maximum
Height	H1	190 mm	560 mm
Width	B1	190 mm	865 mm
Turn-in	D	12 mm	17 mm

Materialdata:		minimum	maximum
Board thickness		1,5 mm	3 mm (depending on quality)
Cover material thickness		0,1 mm	0,3mm (depending on stiffness)

Cover material:	
	uncoated paper
	laminated paper

Reinforcing strip:

Width	24 mm, uncoated paper ca. 80g/ m ²
-------	---