

Compact Casemaker

BDM

COMPACT 60

Technical Specification

Capacity:
up to 60 cases / min.

Case size (open):
min. 100 x 170 mm
max. 390 x 660 mm

Board thickness:
min. 1 mm
(dependent upon material)
max. 4 mm

Spine width:
min. 8 mm / option 6 mm
max. 90 mm

Boardcutter:
min. 6 mm
max. 90 mm

Hinge width:
min. 5 mm
max. 15 mm

Distance between the two boards:
min. 16 mm
max. 120 mm

Thickness of rigid spine:
min. 1 mm
max. 3 mm
depends on width

Thickness of flexible spine:
min. 0,3 mm
max. 0,6 mm

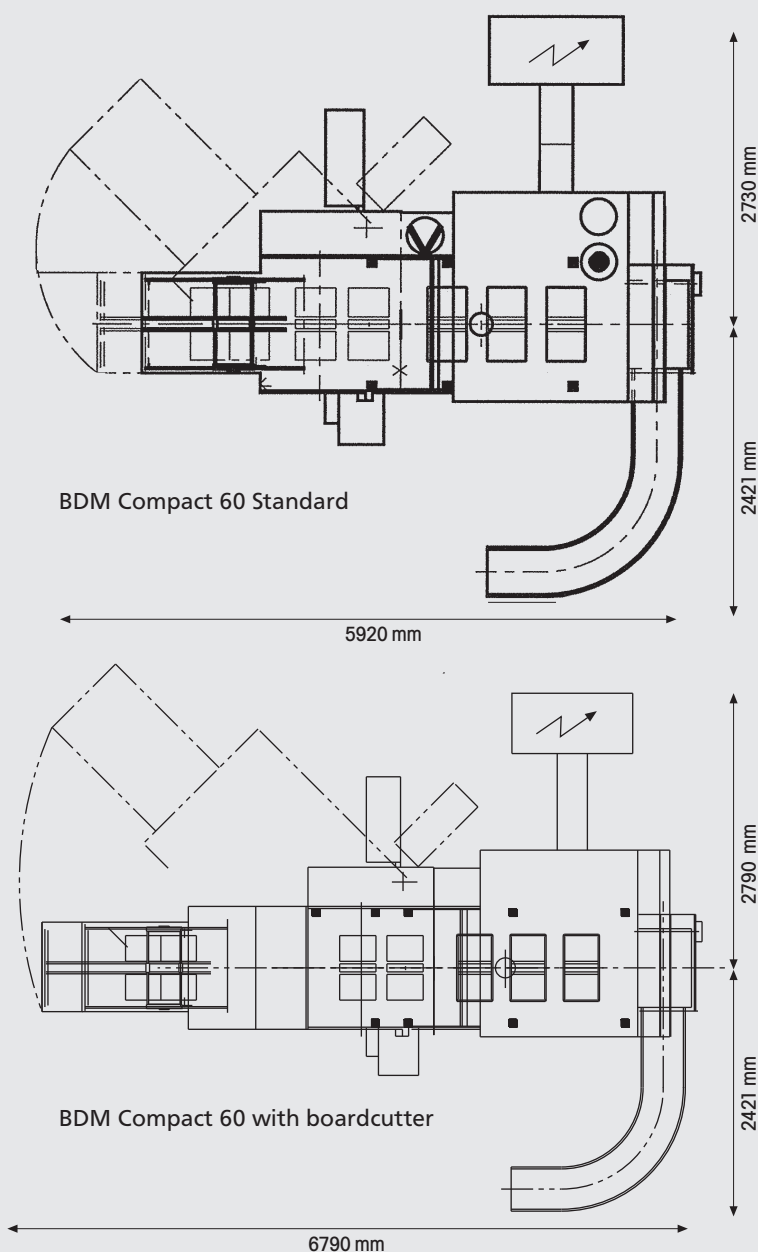
Thickness of cover material:
min. 0,1 mm
max. 0,3 mm

Power requirements:
approx. 19 kW without board cutter
approx. 20,5 kW with board cutter

Compressed air requirements:
approx. 1200 NI/minute at 6 bar

Weight of machine:
approx. 5800 kg without board cutter
approx. 6800 kg with board cutter

Weight of switch cabinet:
approx. 800 kg



Michael Hörauf Maschinenfabrik GmbH & Co. KG

Mozartstraße 39 - 41 · D - 73072 Donzdorf - Germany

Phone: +49(0) 7162 / 942-0 e-mail: sales@hoerauf.com
Fax: +49(0) 7162 / 942-510 www.hoerauf.com



Compact Casemaker

BDM COMPACT 45

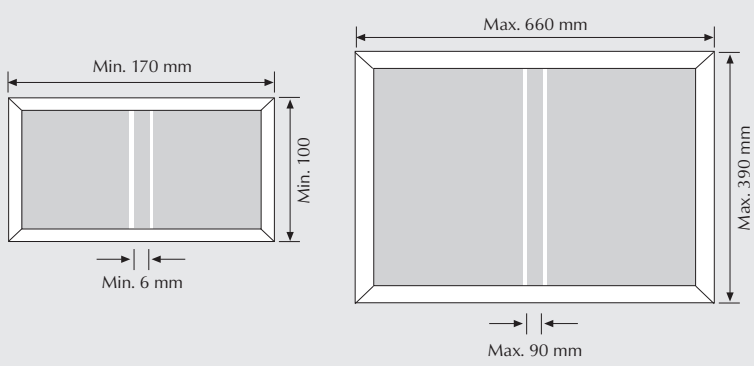
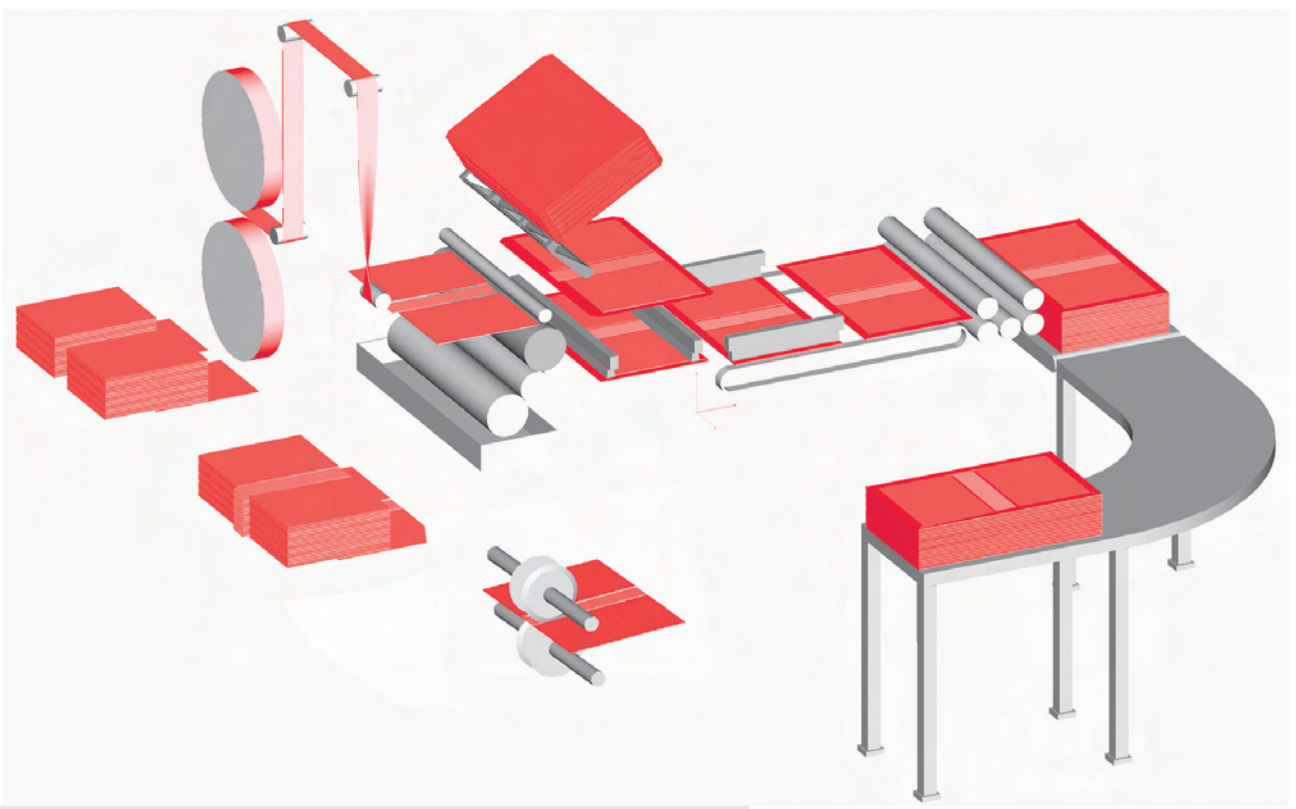


Fig. partly similar, technical changes reserved.